

# MMV AC Voltage Digital Meter



An ISO 9001:2008 Company



## ■ FEATURES

- Programmable PT ratio
- Output: 0-20mA/4-20mA or 0-5V/1-5V/0-10V
- RS 485 MODBUS RTU and 4 Alarm Setting Function
- Small size (Depth< 90mm)
- Selectable Sampling Speed: (High/Medium/Low)

\*Sampling speed is determined by the buffer size.

Buffer size=The number of measurements for RMS.

**MMV** Code1 - Code2 - Code3 - Code4 - Code5 - R.M.S

**MMVR** Code1 - Code2 - Code3 - Code4 - Code5 - T.R.M.S

Code 1	Input Current	Code 2	Alarm Setting	Code 3	Output 1	Code 4	Output 2	Code 5	Aux. Power
1	AC 0-440V	2	2 Alarm Setting	1	DC 0~10mA	6	RS 485	1	AC 110/220V
		4	4 Alarm Setting	2	DC 0~20mA	0	None	2	AC 220V
Y	Other	0	None	3	DC 4~20mA	Y	Other	3	DC 22~72V
				4	DC 0~5V			6	AC/DC 85~265V
				5	DC 1~5V			Y	Other
				6	DC 0~10V				
				0	None				
				Y	Other				

## SPECIFICATIONS:

### INPUT:

- Input Frequency : 45 ~ 70Hz.
- Input Burden : 0.25VA at 60Hz.
- Input Over : Normal AC 440V(Max: AC 500V), Over voltage 600V Continuous. 1.2KV 10sec/Hr

### OUTPUT & DISPLAY:

DC Current: 0 – 20 mA DC

DC Voltage: 0 – 10 V DC

Load resistance drive: output drive 10 VDC maximum

Load resistance drive: output drive 5 mA maximum

Output	Load Resistance
0 – 10 mA :	1000 Ω
0 – 20 mA :	500 Ω
4 – 20 mA :	500 Ω

Output	Load Resistance
0 – 5 V :	1 KΩ
1 – 5 V :	1 KΩ
0 – 10 V :	2 KΩ

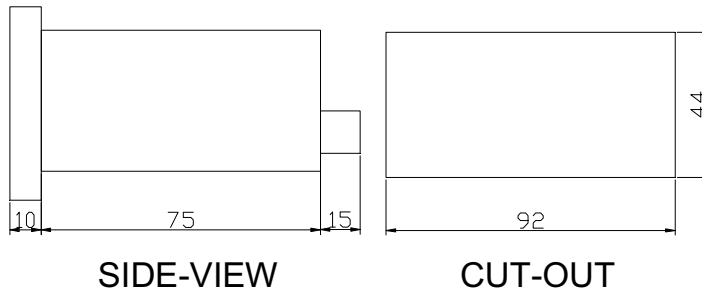
- Output Response Time : ≤1 Sec. ( programmable per 100ms/unit )
- Output Protection : Without Damage for Output Open or Short Circuit.
- Digital Output : RS-485 Output, 1200,2400,4800,9600,19200 Baud Rate, User Selectable.
- Display Range : 0.56" High brightness RED LED , 5 Digits, -19999 ~ 99999Counts

### INSTALLATION & PERFORMANCE:

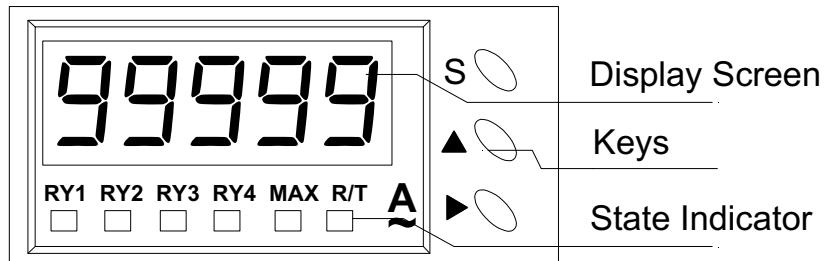
- Accuracy : 0.15%FS+1 Counts. Avg. Typically at 23°C±3°C. 0.25%FS+1 Counts. TRMS Typically at 23°C±3°C.
- Setting Function : 4 Alarm Setting, Setting Function(Hi or Lo) User Selectable.
- Setting Range : -19999 ~ 99999 Counts User Selectable.
- Dead Band : 0 ~ 9999 Counts User Selectable.
- Time Delay : 0 ~ 999 Sec. User Selectable.
- SPDT Capacity : AC 120V 3A,, DC 30V 3A.
- Dielectric Strength : 2KV AC / Min Between Input / Power / Case.
- Impulse : 5 KV 1.2x50 uS, ANSI C37.90a / 1983.DIN IEC 255 – 4.
- Stability : ≤0.2%/Year.
- Temperature Coefficient : ≤60ppm /°C From 0~ 60°C ; ≤50ppm/25°C ±5°C
- Operating Condition : -10°C ~ +55°C 20 ~ 95% RH Non-Condensed.
- Storage Condition : -40°C ~ +75°C 20 ~ 95% RH Non-Condensed.
- Consumed Power : ≤3VA , PF = 1
- Power Supply : AC or DC ±20%, 50 / 60Hz.
- Outline Dimension : 1/8 DIN 96W X 48H X 100D mm.
- Mounting : Panel Flush Mounting.

All Specifications are subject to change without prior notice.

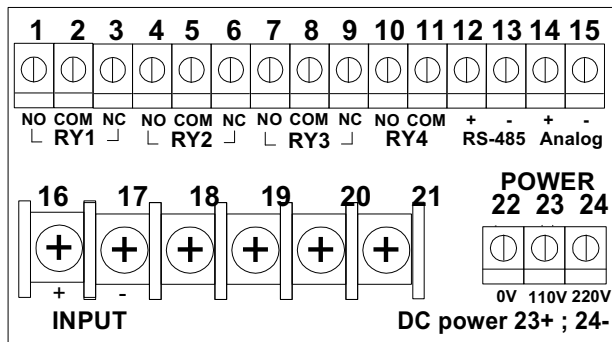
## ■ Dimension (mm)



## ■ Panel Keys



## ■ Connection Diagram



All Specifications are subject to change without prior notice.

**KUSAM-MECO**<sup>®</sup>  
An ISO 9001:2008 Company

G-17, Bharat Industrial Estate, T. J. Road, Sewree (W), Mumbai - 400 015. INDIA.  
**Sales Direct.:** 022-24156638, **Tel. :** 022-24124540, 24181649, **Fax :** 022-24149659  
**Email :** kusam\_meco@vsnl.net, **Website :** www.kusamelectrical.com